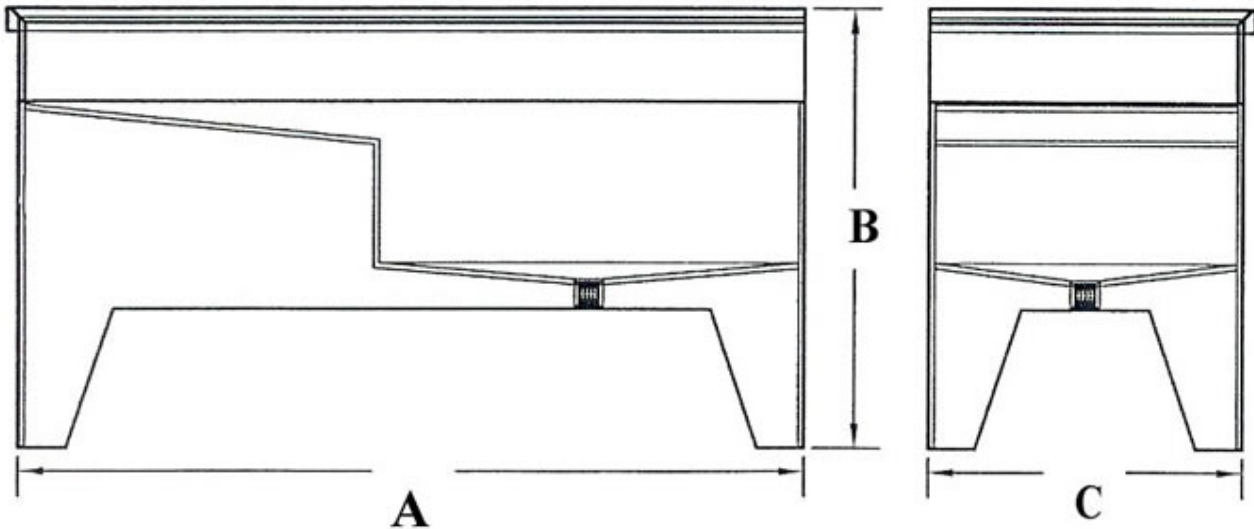


Custom Fabricated Sinks -- Style G



Please print this form and fill in the dimensions required, check the type of plastic, any options needed, and add any special instructions.

Fax this form to: **(973) 316-0300**

A _____ B _____ C _____

PVC ____ PP ____ PE ____ Other Plastic (Please Specify) _____

OPTIONS _____

- Drain Location (1-1/2" Standard) • Strainers • Standpipes • Traps • Overflows
- Mixing Faucets • Gooseneck Laboratory Faucets • Handheld Sprayers

Please include contact name and phone number when faxing this form to:
(973) 316-0300

Name _____

Phone # _____

PLASTINETICS® INC. Plastics for Industry / Research

439 Main Road, Towaco, NJ 07082 • Toll Free: 800-627-7473

Phone: (973) 316-6600 • Fax: (973) 316-0300

Web: www.plastinetics.com • Email: sales@plastinetics.com